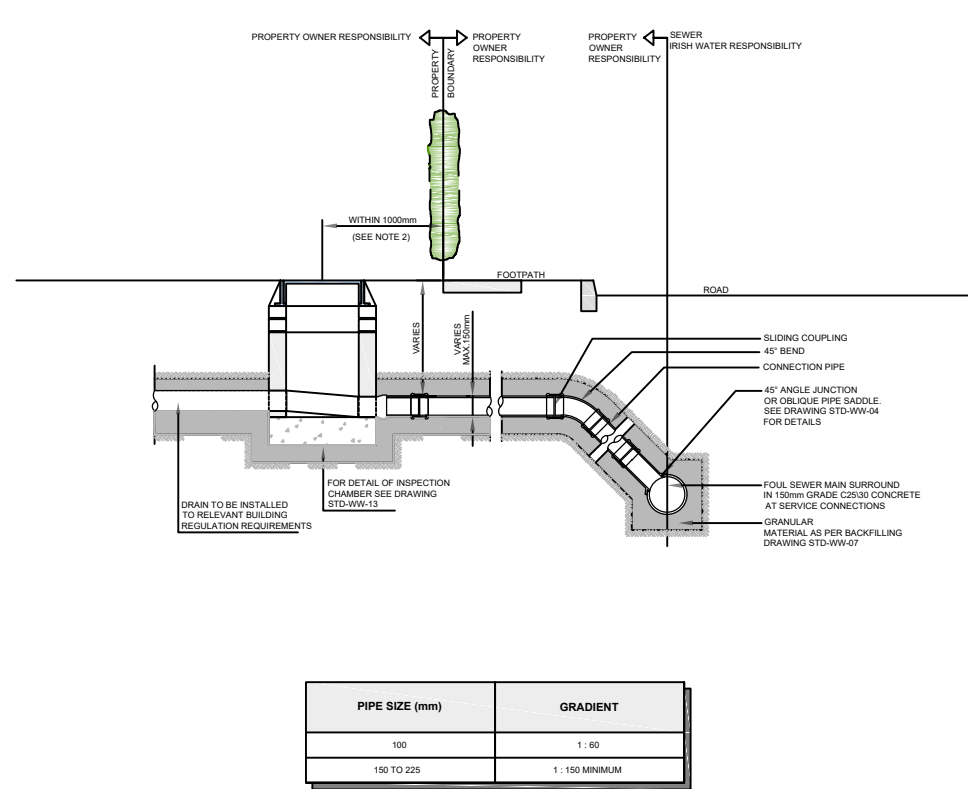


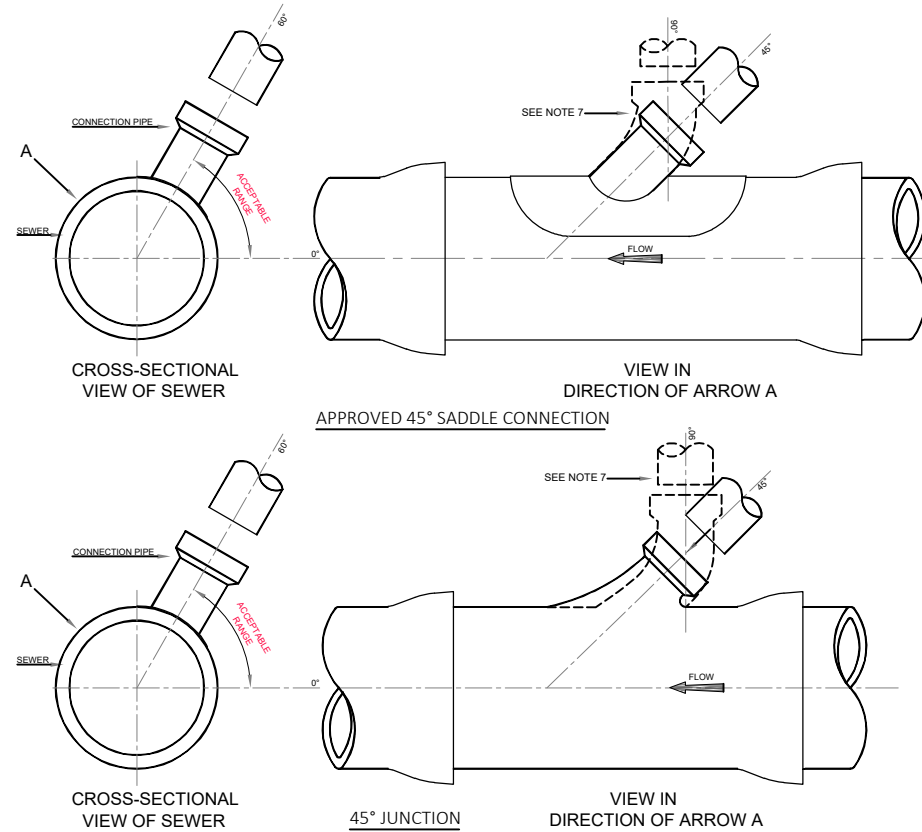
- ALL DIMENSIONS ARE IN MILLIMETRES (mm) UNLESS NOTED OTHERWISE.
- AN INSPECTION CHAMBER SHOULD BE LOCATED AT OR WITHIN 1m OF THE PROPERTY BOUNDARY AT THE UPSTREAM END OF EACH SERVICE CONNECTION ON THE PRIVATE SIDE OF THE CURTLAGE, IF PRACTICABLE, CONSULT WITH IRISH WATER ON ALTERNATIVE LOCATIONS.
- ANY PIPE AND ASSOCIATED ACCESS UPSTREAM OF THE POINT OF CONNECTION TO A PUBLIC SEWER WITHIN THE CONFINES OF A PRIVATE BOUNDARY IS A PRIVATE DRAIN AND SHOULD BE CONSTRUCTED IN ACCORDANCE WITH BUILDING REGULATIONS.

- ALL DIMENSIONS ARE IN MILLIMETRES (mm) UNLESS NOTED OTHERWISE.
- AS FAR AS PRACTICABLE, JUNCTIONS AND SERVICE CONNECTIONS SHALL BE BUILT IN FOR ALL PLANNED USERS WHEN THE SEWER IS BEING CONSTRUCTED. WHERE IT IS NECESSARY TO MAKE A POST-CONSTRUCTION CONNECTION THE DEVELOPER SHALL BRING THE SEWER TO THE INSPECTION CHAMBER, INSTALL THE INSPECTION CHAMBER AND SEAL THE UPSTREAM END UNTIL THE CONNECTION IS REQUIRED.
- THE VERTICAL ANGLE BETWEEN THE SERVICE CONNECTING PIPE AND THE HORIZONTAL SHALL BE GREATER THAN 0° AND NOT MORE THAN 60°.
- WHERE THE CONNECTION IS BEING MADE TO A SEWER WITH A NOMINAL INTERNAL DIAMETER OF 300mm DIAMETER OR LESS, CONNECTIONS SHALL BE MADE USING 45° ANGLE JUNCTIONS.
- WHERE THE CONNECTION IS BEING MADE TO A SEWER WITH A NOMINAL INTERNAL DIAMETER GREATER THAN 300mm :
 - IF THE DIAMETER OF THE CONNECTING PIPE IS GREATER THAN HALF THE DIAMETER OF THE SEWER, AN ACCESS MANHOLE SHALL BE CONSTRUCTED TO FORM THE CONNECTION POINT. OR
 - IF THE DIAMETER OF THE CONNECTING PIPE IS LESS THAN OR EQUAL TO HALF THE DIAMETER OF THE SEWER, THEN THE CONNECTION SHALL BE MADE USING A PREFORMED SADDLE FITTING WITH A SLOW BEND BETWEEN THE SADDLE AND THE CONNECTING SEWER/DRAIN .
- CONNECTIONS MADE WITH SADDLE FITTINGS SHALL BE MADE BY CUTTING AND SAFELY REMOVING A CORE FROM THE PIPE AND JOINING THE SADDLE FITTING TO THE PIPE IN ACCORDANCE WITH THE MANUFACTURER'S INSTRUCTIONS TO ENSURE A WATERTIGHT JOINT. THE CONNECTING PIPE SHALL NOT PROTRUDE INTO THE SEWERS.
- THE USE OF 90° CONNECTIONS TO THE SEWER MAY BE ALLOWED SUBJECT TO IRISH WATER REVIEW, PROVIDED THE SADDLE OR BRANCH INCORPORATES A SWEPT TEE CONNECTION TOWARDS THE DIRECTION OF FLOW.

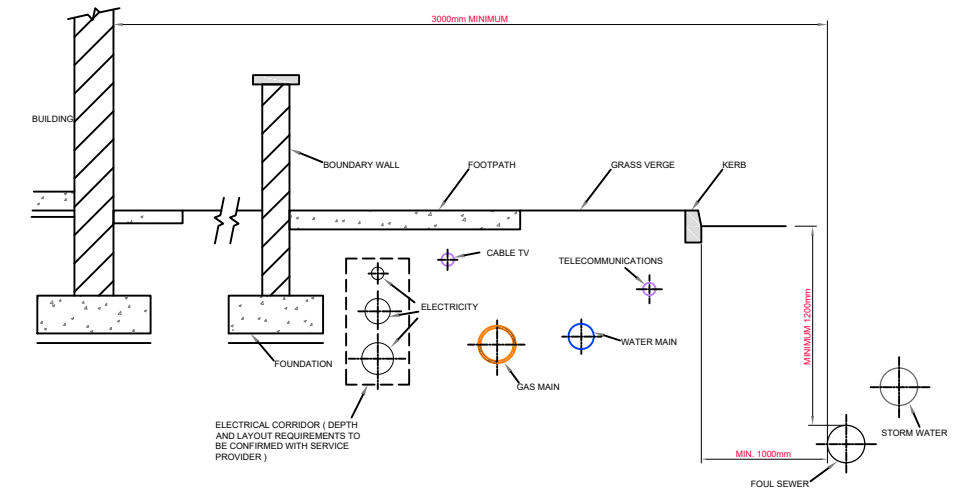
- THE SEPARATION DISTANCES OUTLINED ARE MINIMUM REQUIREMENTS.
- SPECIFIC SEPARATION CLEARANCE DISTANCES IN EXCESS OF THESE MINIMA SHALL BE PROVIDED FOR SERVICES SUCH AS GAS, ELECTRICITY, FIBRE-OPTIC OR OIL FILLED CABLES AS THE CASE MAY BE. THE PARTICULAR UTILITY PROVIDERS SHALL BE CONSULTED TO DETERMINE THESE MINIMUM SEPARATION DISTANCES AND EVIDENCE OF THIS CONSULTATION, WITH THE SPECIFIED SEPARATION DISTANCES, SHALL BE PROVIDED TO IRISH WATER AT DESIGN STAGE.
- NOTIFICATION IN WRITING IS REQUIRED SHOULD WORKS BE WITHIN THE FOLLOWING DISTANCES FROM AN EXISTING WATER MAIN OR WASTEWATER RISING MAIN:**
 HORIZONTAL
 1m AT EITHER SIDE OF AN EXISTING MAIN LESS THAN 200mm IN DIAMETER.
 2m AT EITHER SIDE OF AN EXISTING MAIN OF 200mm TO 350mm IN DIAMETER.
 5m AT EITHER SIDE OF AN EXISTING MAIN OF 350mm OR GREATER IN DIAMETER.
 WHERE DUCTS OR PIPES ARE TO BE LAID CLOSE TO AN EXISTING WATERMAIN OR SEWER IN THE OWNERSHIP OF IRISH WATER, NOTIFICATION IN WRITING SHALL BE PROVIDED A MINIMUM OF 10 DAYS AHEAD OF ADVANCEMENT OF THE WORK. NOTIFICATION IN WRITING IS REQUIRED SHOULD WORKS BE WITHIN 1.5m DISTANCE OF A WASTEWATER SEWER. REQUIREMENTS SHALL ALSO APPLY TO TRIAL HOLES OR SLIT TRENCHES TO LOCATE THE MAIN OR GAIN GROUND INFO DATA. LARGER DIAMETERS >350mm DISTRIBUTION AND TRUNK MAINS, IRISH WATER MUST BE NOTIFIED AT LEAST 1 MONTH IN ADVANCE. DEVELOPERS SHALL ALSO COMPLY WITH ANY NOTIFICATION REQUIREMENTS OF OTHER UTILITY PROVIDERS (ESB, GAS MAIN, TELECOMMUNICATION ETC.).
- DETAILED PROPOSALS, INCLUDING WORK METHOD STATEMENTS, INSURANCE CONFIRMATION AND DETAILS OF WORK COMPLETED OF A SIMILAR NATURE MUST BE SUBMITTED TO IRISH WATER FOR ITS CONSIDERATION BEFORE AGREEMENT WILL ISSUE ALL SUCH WORKS IN THE VICINITY OF ARTERIAL WATER MAINS AND SEWERS (MANS GREATER THAN 400mm) SHALL BE SUBJECT TO WRITTEN AGREEMENT WITH IRISH WATER BEFORE CONSTRUCTION COMMENCES ON SITE. THIS AGREEMENT SHALL ALSO INCLUDE ANY NECESSARY PROTECTION FOR WATER MAINS.
- ANY DAMAGE SHALL BE NOTIFIED IMMEDIATELY TO IRISH WATER. THE PERSON WHO CAUSES THE DAMAGE TO A SEWER MAIN OR FITTING WILL BE DEEMED TO HAVE COMMITTED AN OFFENCE UNDER SECTION 45 OF THE WATER SERVICES ACT 2007.
- UNDER NO CIRCUMSTANCES WILL IRISH WATER ACCEPT SEWER MAIN INSTALLATIONS UNDER STRUCTURES, EXISTING OR PROPOSED, OR IN CLOSE PROXIMITY TO ANY EXISTING STRUCTURES OR FEATURES THAT WILL INHIBIT ACCESS FOR POST INSTALLATION MAINTENANCE AND ACCESS.
- THE MINIMUM CLEAR DISTANCE WILL BE INCREASED IF THE SEWER IS GREATER THAN 3m DEEP OR IF THE DIAMETER IS GREATER THAN 375mm. THE MINIMUM CLEAR DISTANCE IN THESE SITUATIONS SHALL BE > DEPTH TO INVERT OR 10 TIMES THE SEWER DIAMETER, WHICH EVER IS GREATER.
- THE EXTERNAL FACES OF MANHOLE SHALL BE AT LEAST 0.5m FROM KERB LINE.
- WHERE DESIGN DEVIATES FROM TYPICAL DETAILS, THE LAYOUT IS SUBJECT TO REVIEW BY IRISH WATER.



DRAIN AND SERVICE CONNECTION PIPEWORK



TYPICAL SEWER / SERVICE PIPE CONNECTION



TYPICAL SERVICE LAYOUT INDICATING SEPARATION DISTANCES

PRELIMINARY - FOR PRE-PLANNING PURPOSES ONLY

© THIS DRAWING IS PROTECTED BY COPYRIGHT AND IS THE PROPERTY OF SDS (Structural Design Solutions) Ltd. / SDS-UK Ltd. IT MAY NOT BE USED, REPRODUCED OR DISCLOSED TO ANYONE WITHOUT THE PRIOR WRITTEN APPROVAL OF THE AUTHORS.

SDS (Structural Design Solutions) Ltd,
 Head Office: Unit 9, N5 Business Park, Castlebar, Co. Mayo. Tel: +353 (0)94 9034914
 Dublin: 46 Dawson Street, Dublin 2. Tel: +353 (0)1 6877480
 London: Bridge House, 25-27 The Bridge, Wealdstone, Harrow, HA3 5AB. Tel: +44 (0)20-30266724
 Middle East: Ibn Seena Street, P.O. Box 2514, Doha. Tel: +974 (0)33 731378
 info@structuraldesign.ie Web: www.structuraldesign.ie

DRAWING NOTES:
 1. This Drawing is to be read in conjunction with the relevant Specifications & other Architectural & Engineering Drawings. Engineers to be informed immediately of any discrepancies before work proceeds.
 2. Do Not Scale from this Drawing. -Metric Figured Dimension only are to be used.
 3. It is "The Contractor's" responsibility to ensure that all works are carried out in accordance with the requirements of the current Building Regulations and all other statutory documents relevant to this project including the grant of TENDER permission, Fire Safety Certificate and Disability Access Certificate.
 4. SDS (Structural Design Solutions) Ltd. / SDS-UK (Structural Design Solutions) Ltd. bear no liability for unilateral changes/modifications made during the course of construction based on the drawing prepared, without prior consultation and confirmation of acceptance of the revision by SDS (Structural Design Solutions) Ltd. / SDS-UK (Structural Design Solutions) Ltd.

REV.	DATE	BY	DESCRIPTION
PL1	17.02.2020	CD	ISSUED

CONDORF INVESTMENTS ICAV

Project Title
 HOUSING DEVELOPMENT AT BALLINDERRY RD., MULLINGAR, CO. WESTMEATH

Drawing Title
 APPROVED IRISH WATER STANDARD DETAILS FOR WASTEWATER INFRASTRUCTURE STANDARD DETAILS; SHEET 1 OF 5

Scale	Page Size	Status
N.T.S.	A3	PLANNING
Drawn by	Date	Checked
FL	FEBRUARY 2020	CD
Project No.	Drawing No.	Revision
18262	C151	PL1