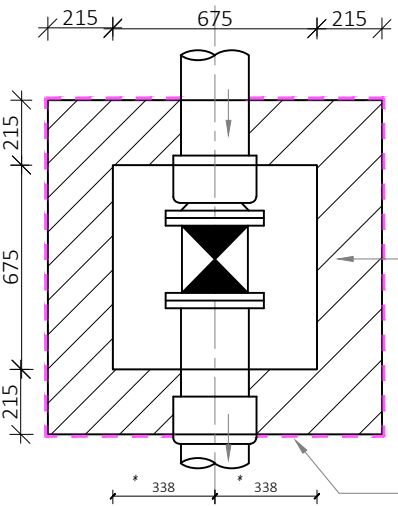


PLAN
SCALE 1:20

TYPICAL SECTION S1-S1
SCALE 1:25

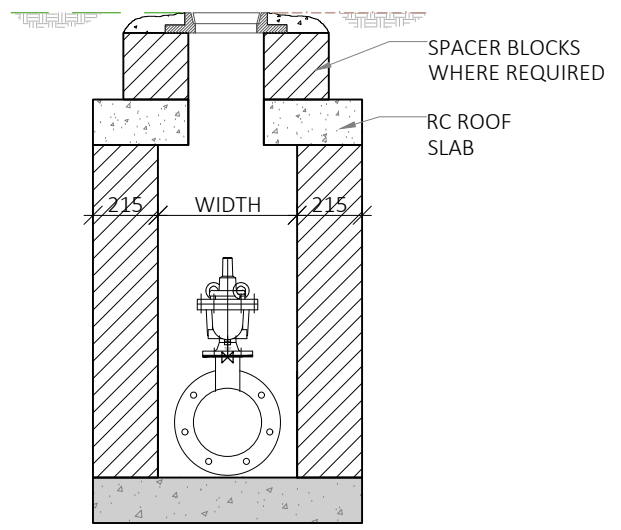


SLUICE VALVE DETAIL
SCALE 1:25

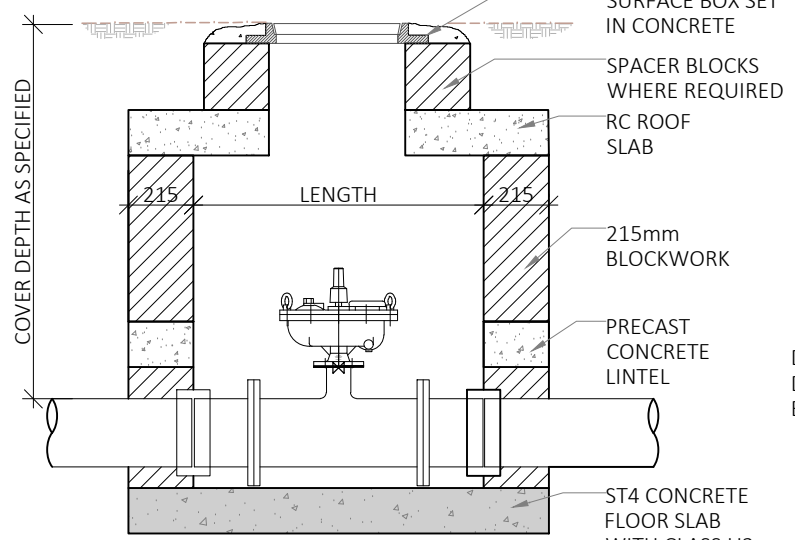
NOTE: PIPE LAYOUT AT CHAMBER AS DRAWN, UNLESS SPECIFIED OTHERWISE.

CONCRETE BLOCKWORK PIPE SIZE AS SPECIFIED AT LOCATION

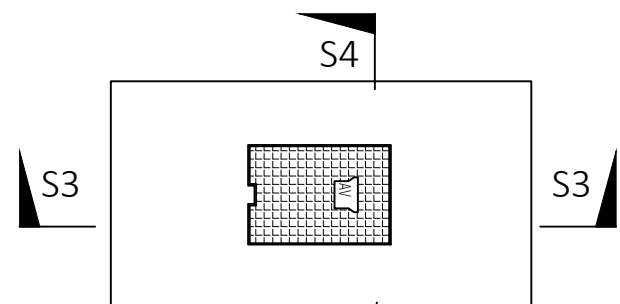
* UNLESS OTHERWISE SPECIFIED AT A PARTICULAR LOCATION 'FOSROC' PROOFEX ENGAGE WATERPROOFING, OR SIMILAR APPROVED.



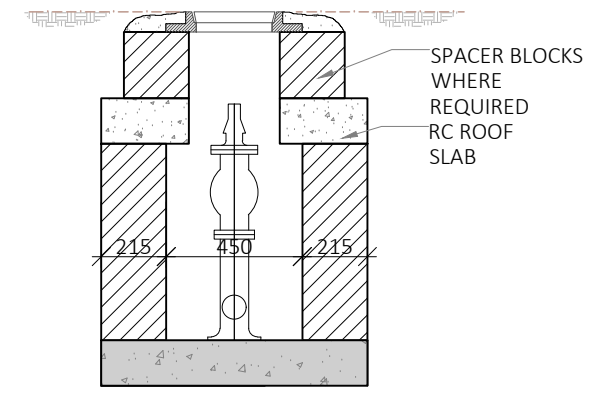
TYPICAL SECTION S4-S4
SCALE 1:25



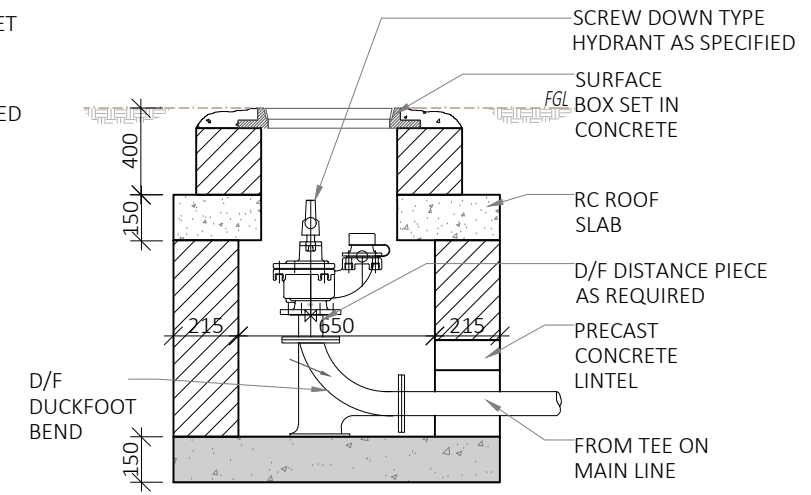
TYPICAL SECTION S3-S3
SCALE 1:25



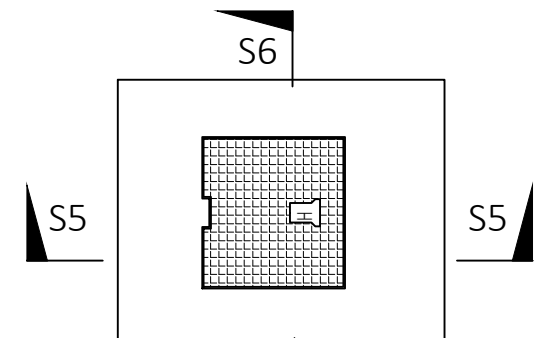
AIR VALVE CHAMBER DETAIL
SCALE 1:25



TYPICAL SECTION S6-S6
SCALE 1:25



TYPICAL SECTION S5-S5
SCALE 1:25



FIRE HYDRANT DETAIL
SCALE 1:25

PRELIMINARY - FOR PRE-PLANNING PURPOSES ONLY