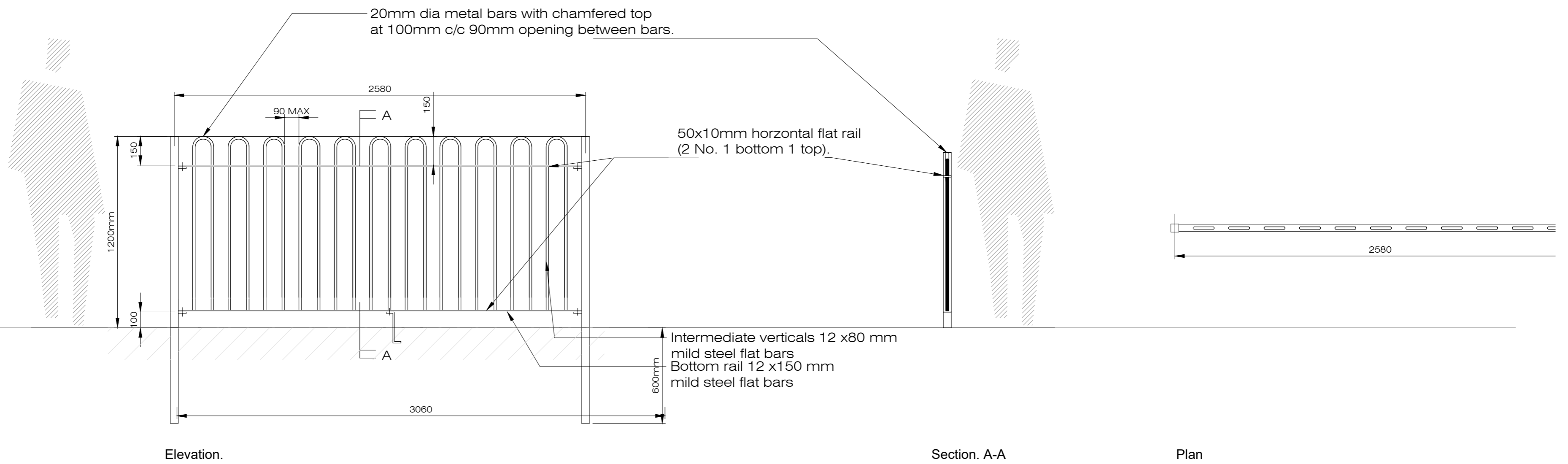


Note:

Note : All Metal work to be Plasgalv polyester powder coated to BS 1722-16:2009 in colour to match window frames Posts and rails to be erected plumb to requirements of BS 1722-9:2009



D01 LD-03-PP 1.2mtr high metal railing Scale 1:20

s96w seat

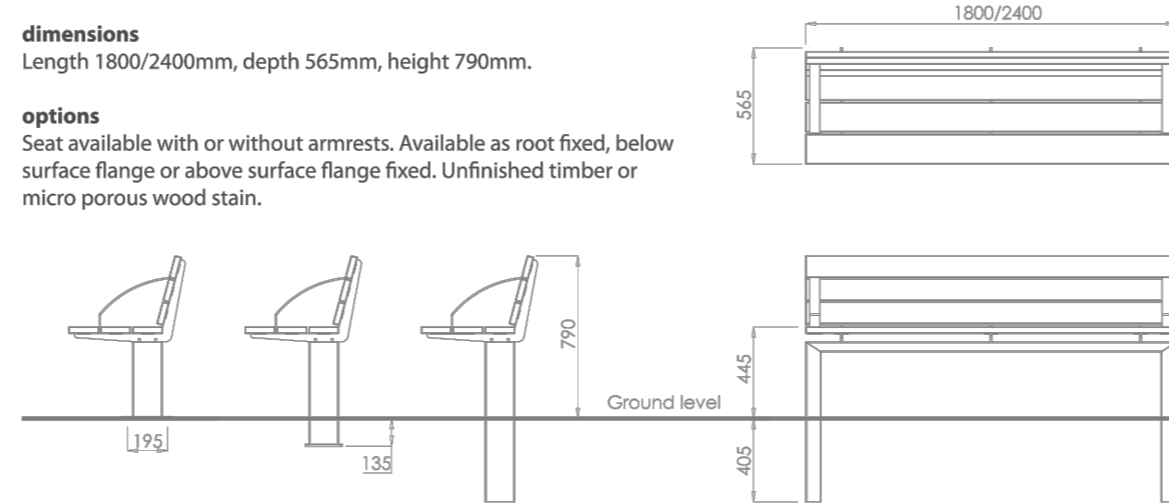


Above: s96w seat, 1.1.8m, with end armrests, root fixed.

description
Powder coated galvanized steel cantilever support beam with seat and backrest supports, Iroko seat and back boards. Armrests optional.

dimensions
Length 1800/2400mm, depth 565mm, height 790mm.

options
Seat available with or without armrests. Available as root fixed, below surface flange or above surface flange fixed. Unfinished timber or micro porous wood stain.



street furniture designers and manufacturers **omos**

D02 LD-03-PP Omos s96w bench seats

Rev	Date	Note

Project name: Ballinderry Road, Mullingar	Project number: 18-069
Drawing name: Landscape Details 3 of 3	Drawing number: LD-03-PP

Drawing scale @ A1: as shown	Drawn by: kgr	Checked by: ld
Status: Planning	date: 11.03.2022	

Contact details: Linda Doyle (Director) mobile: 087 267 4196 e-mail linda@doyle-otroithigh.com Darrin o'Troithigh (Director) mobile: 086 300 3499 e-mail darrin@doyle-otroithigh.com	Office address: Pembroke House, 28-32 Upper Pembroke St, Dublin 2.
--	---

doyle + otroithigh
landscape - architecture