

3, 4, 5, 6



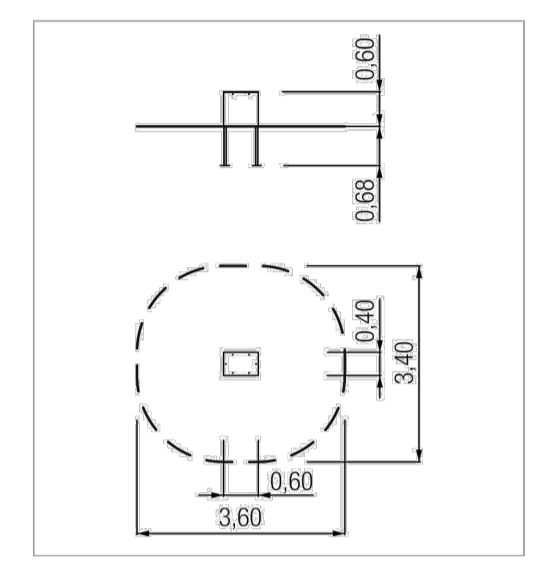
eibe
complete inspiration

5 52 051 80

fit Calisthenics jumping box large

made in germany

Scope of delivery
1x jumping box: HPL



Material	HPL
Foundation level	Fl. 3
Minimum space	300x40x280 cm
Free falling height	60 cm
Impact protection net	-
Foundations	2x CF

eibe Produktion + Vertrieb GmbH & Co. KG | Industriestraße 1 | D-97285 Röttingen | Germany | Fon +49 (0) 93 38 89-0 | Fax +49 (0) 93 38 89-199 | www.eibe.net

3 play unit Magnus, solo



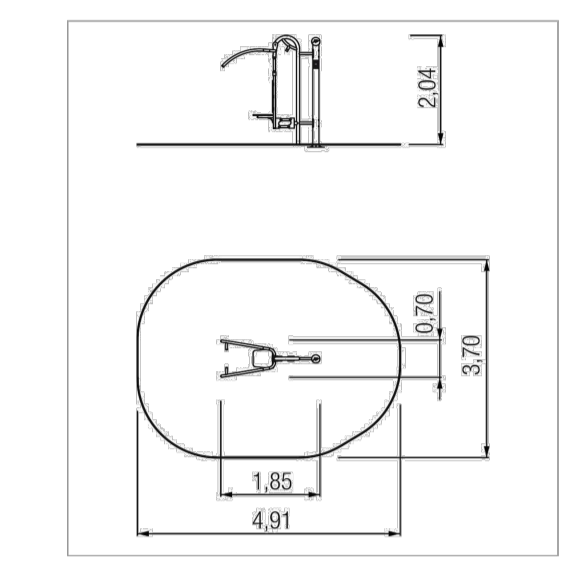
eibe
complete inspiration

5 54 032 0

fit active-station pull down

made in germany

Scope of delivery
1x active-station: VA, HDPE



Material	VA, HDPE
Minimum space	491x70x380 cm
Free falling height	72 cm
Impact protection net	1,5 m²
Foundations	1x CF

eibe Produktion + Vertrieb GmbH & Co. KG | Industriestraße 1 | D-97285 Röttingen | Germany | Fon +49 (0) 93 38 89-0 | Fax +49 (0) 93 38 89-199 | www.eibe.net

4 active-station pull down



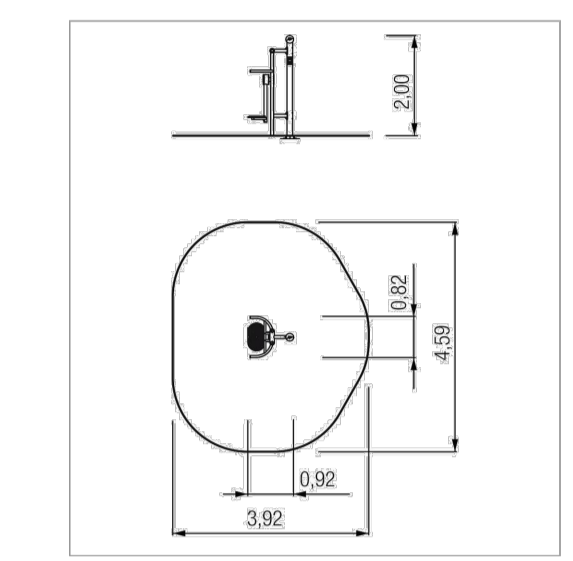
eibe
complete inspiration

5 54 028 0

fit active-station hip trainer

made in germany

Scope of delivery
1x active-station: VA, powder-coated steel, HDPE



Material	VA, powder-coated steel
Minimum space	392x459x390 cm
Free falling height	40 cm
Impact protection net	1,5 m²
Foundations	1x CF

eibe Produktion + Vertrieb GmbH & Co. KG | Industriestraße 1 | D-97285 Röttingen | Germany | Fon +49 (0) 93 38 89-0 | Fax +49 (0) 93 38 89-199 | www.eibe.net

5 active-station hip trainer



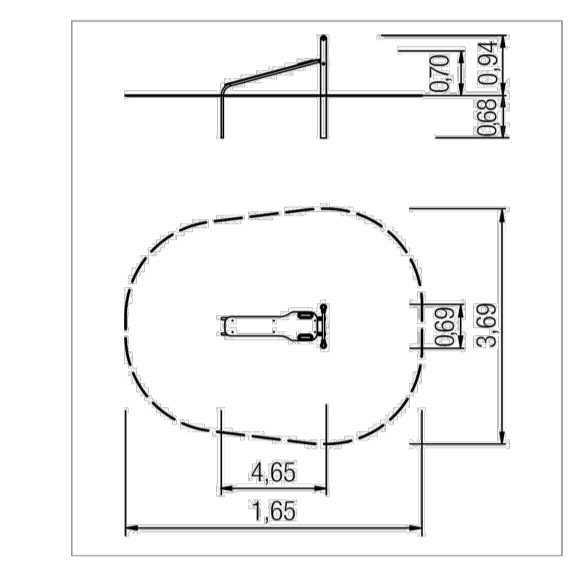
eibe
complete inspiration

5 52 064 80

fit Calisthenics sit-up bench sloped

made in germany

Scope of delivery
2x post: powder steel
1x horizontal bar 50 cm: stainless steel (V2A)
1x workout bench sloped: HPL



Material	stainless steel, powder steel, HPL
Foundation level	Fl. 3
Minimum space	465x699x170 cm
Free falling height	70 cm
Impact protection net	-
Foundations	2x CF

eibe Produktion + Vertrieb GmbH & Co. KG | Industriestraße 1 | D-97285 Röttingen | Germany | Fon +49 (0) 93 38 89-0 | Fax +49 (0) 93 38 89-199 | www.eibe.net

6 Calisthenics sit-up bench sloped



7, 8



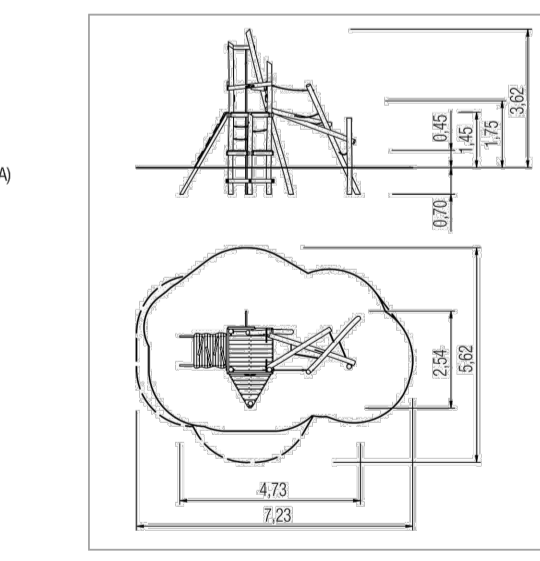
eibe
complete inspiration

5 45 279 0630 0

paradiso play unit Climbing Garden

made in germany

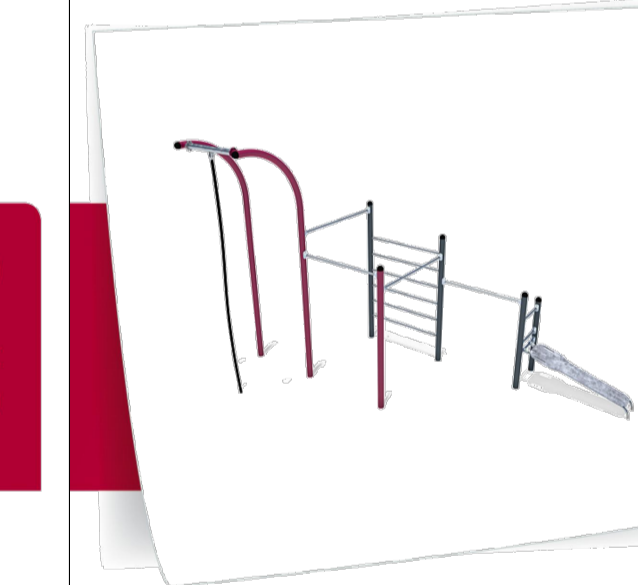
Scope of delivery
4x post construction: robinia
2x platform construction: robinia
1x angled ascent: robinia, plastic-coated steel cable
1x ramp: robinia
1x sliding pole: stainless steel (V2A)
1x rope rings between platforms: plastic-coated steel cable, stainless steel (V2A)
2x passage safety device: robinia
1x access restriction: robinia
2x grip net: aluminum, beschichtet
7x square timber: robinia
fittings: stainless steel (V2A)



Material	Robinia natural
Foundation level	Fl. 3
Minimum space	723x620x82 cm
Free falling height	175 cm
Impact protection net	29,0 m²
Foundations	11x CF
Assembly	-

eibe Produktion + Vertrieb GmbH & Co. KG | Industriestraße 1 | D-97285 Röttingen | Germany | Fon +49 (0) 93 38 89-0 | Fax +49 (0) 93 38 89-199 | www.eibe.net

7 play unit Climbing Garden



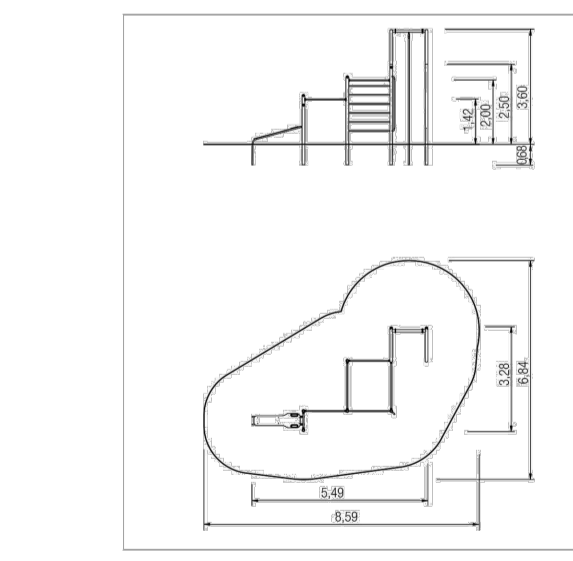
eibe
complete inspiration

5 52 055 70

fit Calisthenics unit Midi 02

made in germany

Scope of delivery
2x post bentend: powder steel
3x post: powder steel
1x crossbar: powder steel
1x rung ladder (8 rungs) with human flap pole: powder steel
2x horizontal bar 147 cm: stainless steel (V2A)
2x horizontal bar 127 cm: stainless steel (V2A)
2x horizontal bar 50 cm: stainless steel (V2A)
1x workout bench: HPL
1x climbing rope: PP



Material	stainless steel, powder steel, PP, HPL
Foundation level	Fl. 3
Minimum space	856x684x300 cm
Free falling height	250 cm
Impact protection net	40,0 m²
Foundations	8x CF

eibe Produktion + Vertrieb GmbH & Co. KG | Industriestraße 1 | D-97285 Röttingen | Germany | Fon +49 (0) 93 38 89-0 | Fax +49 (0) 93 38 89-199 | www.eibe.net

8 Calisthenics unit Midi 02

Playground and exercise equipment to include:

- Area A**
- 1 play unit Magnus, solo
 - 1.1 Basis Spring Rocker
 - 2 Calisthenics unit Midi 02
 - 2.2 Calisthenic bars
 - 3 fit Calisthenics
 - 4 active-station pull down
 - 5 active-station hip trainer
 - 6 Calisthenics sit-up bench sloped
- or similar and approved

- Area D**
- 7 play unit Climbing Garden
 - 8 Calisthenics unit Midi 02
- or similar and approved

Project name: Ballinderry Road, Mullingar	Project number: 18-069
Drawing name: Playground Equipment 2 of 3	Drawing number: PG-02-PP
Drawing scale @ A1: 1:100	Checked by: Id
Status: Planning	date: 16.03.2022
Contact details: Linda Doyle (Director) mobile: 087 267 4196 e-mail: linda@doyle-o'troigh.com Daire O'Troigh (Director) mobile: 086 300 3409 e-mail: daire@doyle-o'troigh.com	Office address: Pembroke House, 28-32 Upper Pembroke St, Dublin 2.